

# GATE VALVES ANSI 150LBS

## Cast iron Gate Valve inside screw bronze trim handwheel operated High Temperature BS 5150/ANSI Class 125/150

### Main characteristics

- Manufactured in Italy in accordance with BS 5150
- Face-to-face length according to EN 558-1, basic series 3
- Flanged according to ANSI B16.1 with flat face (EN 1092-2 PN 16 available)
- Inside screw thread clockwise closing, adjustable stuffing box
- Minimal pressure drop
- Hydrostatically tested according to EN 12266-1: Test type P11-P12 Rate A
- Pressure Equipment Directive 2014/68/UE art. 13 Group 1
- 100% full bore
- Gate valves are bi-directional and can be installed in any position.  
However, the preferred orientation is with the stem pointing vertically upwards.

### Field of application

- Industrial plants
- Sewage Water
- Sea Water
- Water treatment
- Air-conditioning systems (HVAC)
- Central heating and cooling circuits
- Aggressive fluids
- Tanks
- Shipyard

### Corrosion protection

- Standard version: externally coated with Phenolic-oil resin with zinc-phosphate high corrosion resistance painting Grey Ral 7011
- On request: integrally epoxy coated
- Customized color available



### Ratings

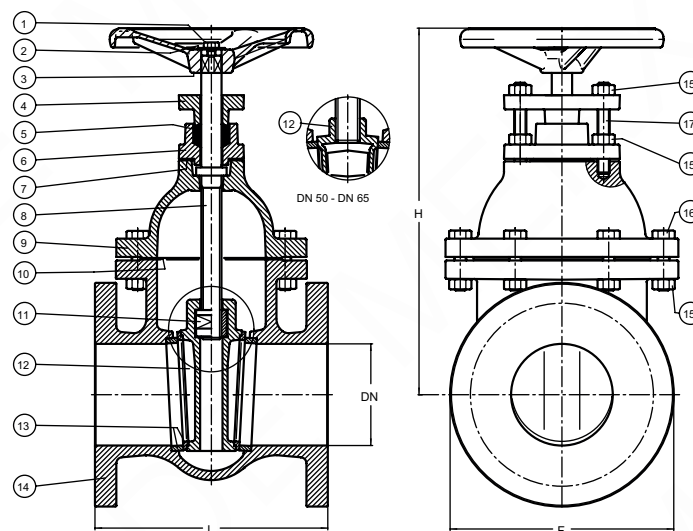
Working temperature (°C)	-10 to +120	+120 to +150
Max Working pressure (bar)	16	14

### Hydrostatically tested according to EN 12266-1 (bar)

P11 Body test	P12 Seat Test water	P12 Seat test air
24	18	6

### Material specification

Nr	Parts	Material	Specification
1	Screw	Zinc-plated 8.8 carbon steel	EN ISO 4017
2	Washer	Zinc-plated carbon steel	EN 7092
3	Handwheel	EN-GJL-250 grey cast iron	EN 1561
4	Packing gland	EN-GJL-250 grey cast iron	EN 1561
5	Packing	Ptfe	ASTM 4894
6	Stuffing box	EN-GJL-250 grey cast iron	EN 1561
7	Gasket	Fasit 205	-
8	Stem	CW614N Drawn brass	EN 12164
9	Bonnet	EN-GJL-250 grey cast iron	EN 1561
10	Gasket	Fasit 205	-
11	Motherscrew	CB 754-S GM Cast brass	EN 1982
12	Wedge DN 40-DN 65	CuSn5Zn5Pb5-B Cast bronze	EN 1982
12	Wedge DN 80-DN 300	EN-GJL-250 grey cast iron	EN 1561
13	Seats	CuSn5Zn5Pb5-B Cast bronze	EN 1982
14	Body	EN-GJL-250 grey cast iron	EN 1561
15	Nut	Zinc-plated 8.8 carbon steel	ISO 4032
16	Screw	Zinc-plated 8.8 carbon steel	EN ISO 4017
17	Tie rod	Zinc-plated 8.8 carbon steel	-



### Technical data

DN	50	65	80	100	125	150	200	250	300
F mm	165	185	200	229	250	285	340	405	483
L mm	178	190	203	229	254	267	292	330	356
H mm	265	300	340	370	415	460	555	665	730
Weight Kg	12	16	23	31	42	55	88	134	180
Handwheel Ø mm	150	175	175	200	200	225	250	300	350
Turns open/close nr	12,5	16	20	25	25	30	40	42	50
Max torque gate closing Nm	30	35	35	40	45	45	60	90	90
Kvs value	250	430	790	1.250	1.960	2.790	2.880	4.306	6.380